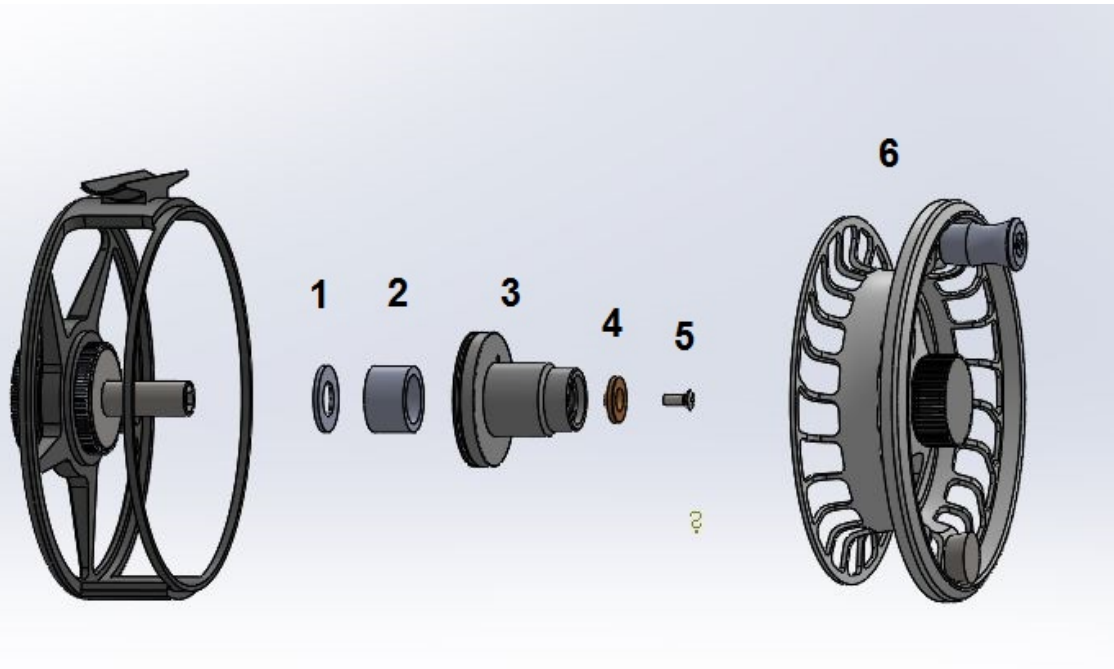
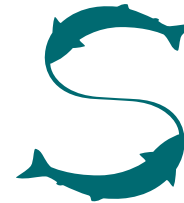


CONVERSION Right-hand to left-hand operation



1. Open the drag knob counterclockwise, the drag system must be free.
2. Open the Spool screw nut and remove the spool (6) out of the frame.
3. Remove the screw (5) and remove the locking washer (4).
4. Remove the free running axle (3).
5. Remove the disk (1)
6. Take the bearing with sleeve (2) out of the running axle (3) turn around the bearing with sleeve and bring them back into the running axle (3) Please note the shaft inside the running axle must stick together with the notch inside the sleeve.
7. Bring the disk (1) into the running axle.
8. The assembly must done in reverse order
9. Attach the locking washer (4) and tighten with the screw (5).
10. Insert the spool (6) into the frame. Make sure that the catch on the spool is engaged in the notch of the free running axle.
11. Close the Spool screw nut



salmologic